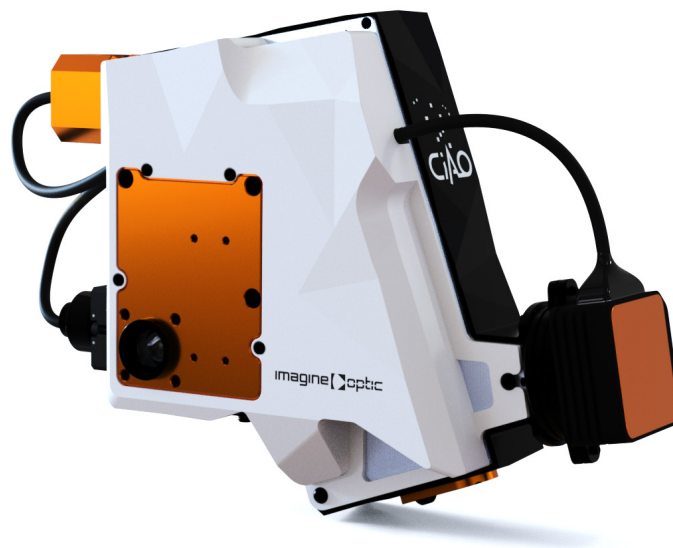


CIAO VIS

Improve your telescope resolution

Adaptive Optics platform
Small, simple & robust

Up to 1kHz closed loop
Simply interfaced to all telescopes
Compatible with extended sources +



Preliminary
Datasheet

imagine
| optic

CIAO VIS +

CIAO is a compact innovative adaptive optics add-on that enhances your telescope's performance.

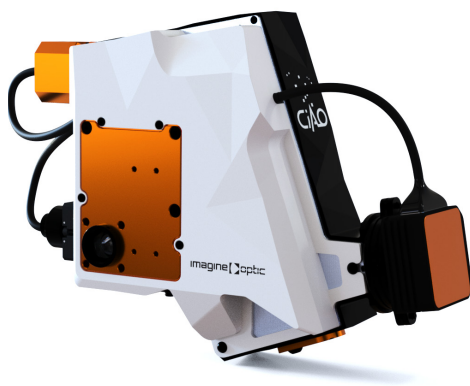
We customize for our users, so please contact us to discuss how CIAO could benefit your application !

APPLICATIONS

- + High resolution imaging on planets or solar surface thanks to its compatibility with extended source
- + Stellar interferometry
- + High performance spectrometry
- + Space Situational Awareness (SSA)

FEATURES

- + Includes 13x13 microlenses high performance HASO wavefront sensor optimized for low flux & high speed
- + Corrects up to 40 modes thanks to piezo-electric deformable mirror
- + Facilitates access to beam-splitter allowing to choose one adapted to your needs (dichroic function or split ratio)
- + Integrates a source, making calibration & auto-check easier
- + Is optimized for f/10 telescopes, but customization available for any f#
- + Can include bypass (optional)



SPECIFICATIONS*

CIAO

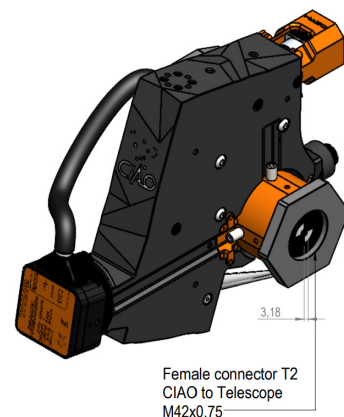
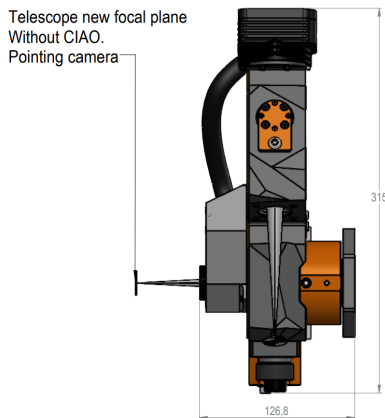
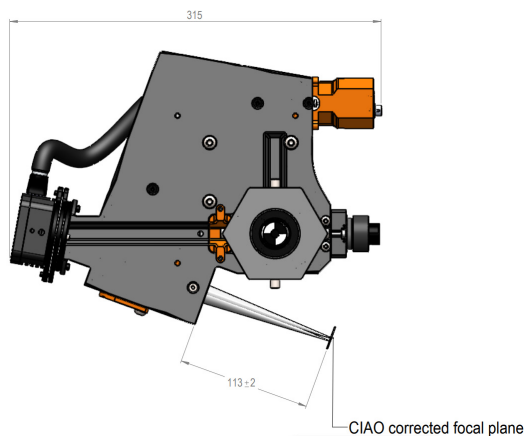
HASO wavefront sensor nb of microlenses	13x13
HASO accuracy	6nm RMS
HASO repeatability @550nm @200ph/microlens	30nm RMS
Spectral range	400-1100nm (White light or monochromatic)
Deformable mirror	40 piezo actuators
Max closed loop frequency	950Hz
BeamSplitter	50-50 (other split ratio or dichroic available)
Closed loop average delay	about 3ms
Internal source	520nm
Switch from telescope to internal source	motorized
Max point source magnitude on a 500mm dia telescope	5
Rejection bandwidth cut-off frequency	≥ 35Hz
Output f#	same as telescope
Bypass f#	same as telescope
Dimension	315x315x127mm ³
Weight	3kg
Cable length to PC	2m (extenders available, optional)

Compatible telescopes

Diameter	from 200mm to 1m
Input f#	f/9 to f/12 (other f# available with custom)
Mechanical interface	T2 (M42x0.75mm)
Pointing accuracy	± 5arcsec

*Subject to changes without further notice

DIMENSIONS (mm)



SOFTWARE

WAVESKY

Wavesky was made with a RunTime approach, meaning it has no GUI. When connected via TCP-IP, you can setup the server, drive the loop and make diagnostics.

It includes C++ and Python client examples and runs under Win10 and Win11 environment.



CONTACT US

Imagine Optic Headquarters

18, rue Charles de Gaulle
91400 ORSAY · France

Phone +33 (0)1 64 86 15 60
sales@imagine-optic.com
www.imagine-optic.com



Preliminary
Datasheet