




MS LAMBDA

Metrology source
The enlightened

From UV to SWIR
Perfect spherical wavefront
Manual or computer control



 compatible





The MS-LAMBDA is a metrology source to use in your wavefront sensing setups.

It provides a spherical wavefront to create a perfect illumination path at any wavelength.



Compatible with the **Optical Engineer Companion** modular system: easily combine the accessories you need.

APPLICATIONS

MS-LAMBDA is a compact electronic driver embedding laser diode or SLED at any wavelength you need for your optical setup. Its monomode fiber output generates a spherical wavefront that makes optical engineer life easy to create high quality illumination paths.

This device is perfectly suited for:

- + Optical tabletop setups
- + Integration in automated machines
- + At wavelength wavefront sensing
- + Adaptive optics reference arms

FEATURES

- + Laser or low coherence source (SLED)
- + High quality wavefront output, perfect focused or collimated beam thanks to monomode fiber
- + Manual or computer remote control
- + Adjustable intensity output
- + Constant current or Constant power output modes
- + Temperature stabilized (TEC) in option
- + Trigger synchronization
- + Class 3R laser



(Fiber patchcord not represented)

SPECIFICATIONS*

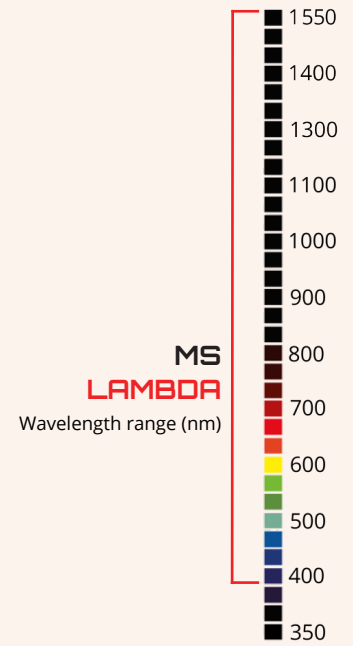
OPERATING SPECS

Available wavelengths (Laser sources)	405, 488, 520, 635, 785, 830, 1064, 1550 nm
Available wavelengths (low coherence sources)	405, 450, 510, 635, 650, 790, 850, 1050, 1550 nm
Output power	Class 3R laser (< 5 mW at most wavelengths)
Output	monomode fiber, 2 m patchcord, FC/APC connector
Trigger input	TTL

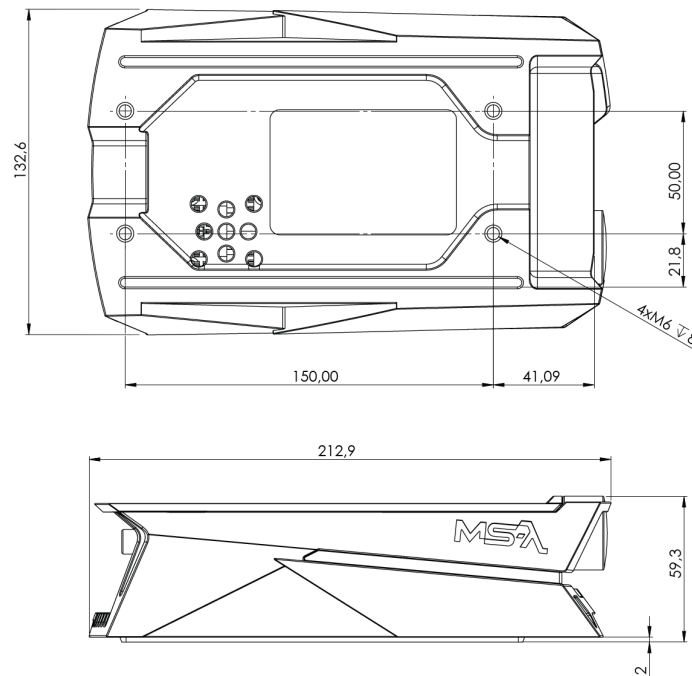
MISC

Dimensions (Height x Width x Length)	60 x 133 x 213 mm ³
Weight	0.4 kg
Working temperature	15 - 30 °C
Interface	USB 2.0
Power supply	100-220 V (12 V output)

*Subject to changes without further notice



DIMENSIONS (mm)

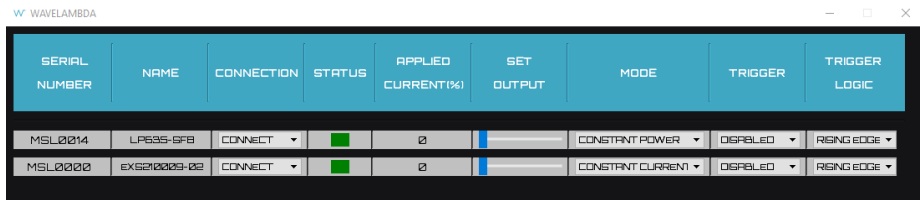


SOFTWARE

WAVELAMBDA™ Metrology source Software

+ WAVELAMBDA™ is our dedicated software user interface for MS-LAMBDA remote control

+ It enables to select the source to control from your computer and set its parameters



The screenshot shows the WAVELAMBDA software interface with a table of metrology sources. The table has the following columns: SERIAL NUMBER, NAME, CONNECTION, STATUS, APPLIED CURRENT (%), SET OUTPUT, MODE, TRIGGER, and TRIGGER LOGIC. Two sources are listed:

SERIAL NUMBER	NAME	CONNECTION	STATUS	APPLIED CURRENT (%)	SET OUTPUT	MODE	TRIGGER	TRIGGER LOGIC
MSL0014	LP635-6FB	CONNECT	■	0		CONSTANT POWER	DISABLED	RISING EDGE
MSL0000	EXG210009-02	CONNECT	■	0		CONSTANT CURRENT	DISABLED	RISING EDGE



CONTACT US

Imagine Optic Headquarters

18, rue Charles de Gaulle
91400 ORSAY · France

Phone +33 (0)1 64 86 15 60
sales@imagine-optic.com
www.imagine-optic.com

